

# Stainless Steel Miniaturesize Grippers

<http://www.pisco.com>

8kg Xea T: ecc a Z G l c X     



- Finger blanks are available for the K finger models as option.  
No misalignment is caused because of R alignment.
- Work stopper can be taken out in case it is not needed
- Nitrating proves effective if the wear of the fingers is to be prevented.

Finger material: Ferritic Stainless Steel (Cr: 19 ~ 21%, Mo: 1.5 ~ 2.5%)

# Angular Gripper single acting External Gripping

Model designation (Example)

**CHM** **08** **A** **A** **K**

① Angular gripper

②. Cylinder dia.

Code	<b>08</b>	<b>11</b>
Cylinder dia. (mm)	ø08	ø11

③. Action

Code	<b>A</b>
Action	Single acting

④. Mounting type

Code	<b>A</b>	<b>B</b>	<b>C</b>	<b>D</b>	<b>E</b>	<b>F</b>
Mounting Type	Shank	Panel Mount	Panel Mount with Stroke	Panel Mount with Stroke	Screw Mount with Stroke	Screw Mount with Stroke
Fingers Direction	—		Parallel	Right angle	Parallel	Right angle
Fingers type	K type, S type		K type			

⑤. Finger type

Code	Finger type
<b>K</b>	R-alignment single screw installation type (finger blanks can be installed on the models) ❖ Work stopper is provided as a standard feature. Remove it if it is not needed
<b>S</b>	Two screw installation type (No work stopper comes with the models)

Finger Blanks for K models : Model designation (example)

**CHM** **08** **AK** **12**

① Lever Gripper

②. Cylinder dia.

Code	<b>08</b>	<b>11</b>
Cylinder dia. (mm)	ø08	ø11

③. Finger blanks

Code	<b>AK</b>
Type	R alignment single screw installation

④. Size

Code	8mm Cylinder bore					
	<b>11</b>	<b>12</b>	<b>13</b>	<b>14</b>	<b>15</b>	<b>16</b>
Splitted	<b>11</b>	<b>12</b>	<b>13</b>	<b>14</b>	<b>15</b>	<b>16</b>
No split	<b>01</b>	<b>02</b>	<b>03</b>	<b>04</b>	<b>05</b>	<b>06</b>
WXT (mm)	6x5	6x10	12x5	12x10	16x5	16x10

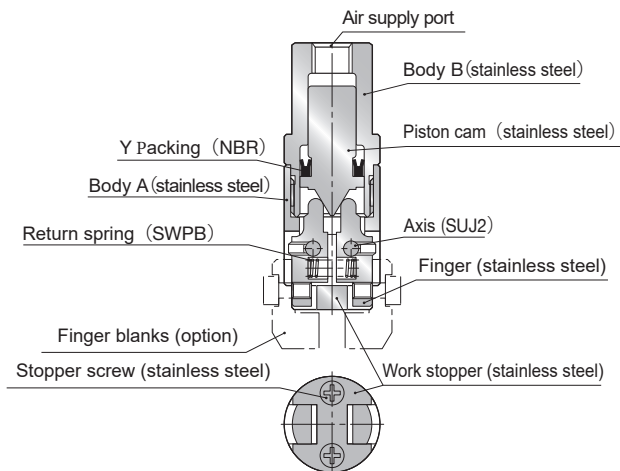
Code	11mm Cylinder bore			
	<b>11</b>	<b>12</b>	<b>13</b>	<b>14</b>
Splitted	<b>11</b>	<b>12</b>	<b>13</b>	<b>14</b>
No split	<b>01</b>	<b>02</b>	<b>03</b>	<b>04</b>
WXT (mm)	8x6	8x12	16x6	16x12

Specification

Cylinder bore	ø 8mm (0.31in.)	ø 11mm (0.43in.)
Moment ※(72.5psi -fingers in parallel)	0.059lbf (0.08N·m)	0.148lbf (0.20N·m)
Operating pressure range	29~102psi (0.2~0.7MPa)	
Operating temp. range	32~140°F (0~60°C) (No freezing)	
Luburication	Not required	

※Moment at the tip of fingers by making the axis as a starting point

## Construction

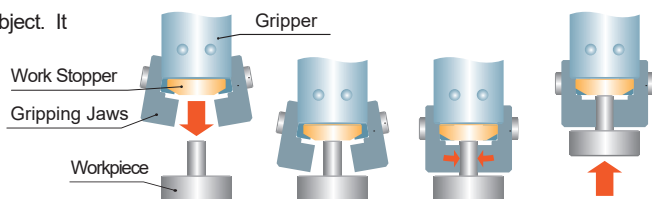


## How to use Work Stopper (example)

- Pressing a workpiece to the work stopper makes more stable conveyance object. It can be used for press-in work as it is.

※Please refer to the chart below about press-in force  
Press-in force

Cylinder bore (mm)	Press-in force (N)
ø8	900 or below
ø11	1,000 or below



- Thrust of cylinder or alike is too big or unstable, grippers with stroke is recommended to secure stable gripping.

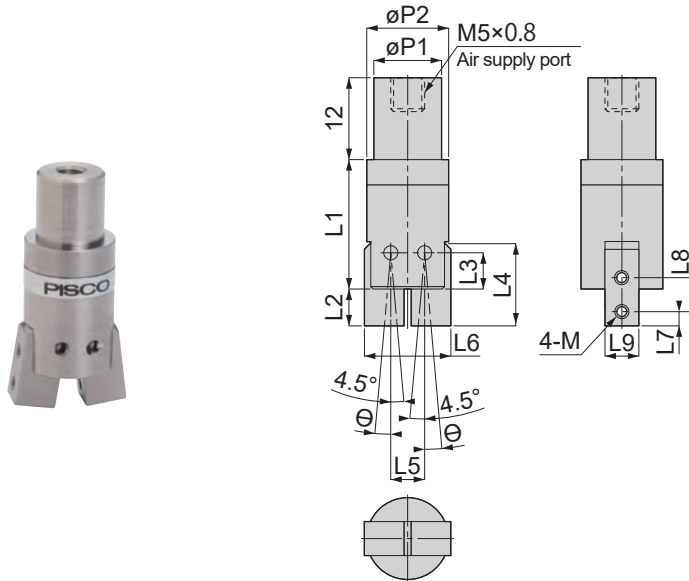
## Safety Instruction

Be sure to read the Common Safety Instructions before using PISCO products.

# Angular Gripper single acting External Gripping

## Dimensions

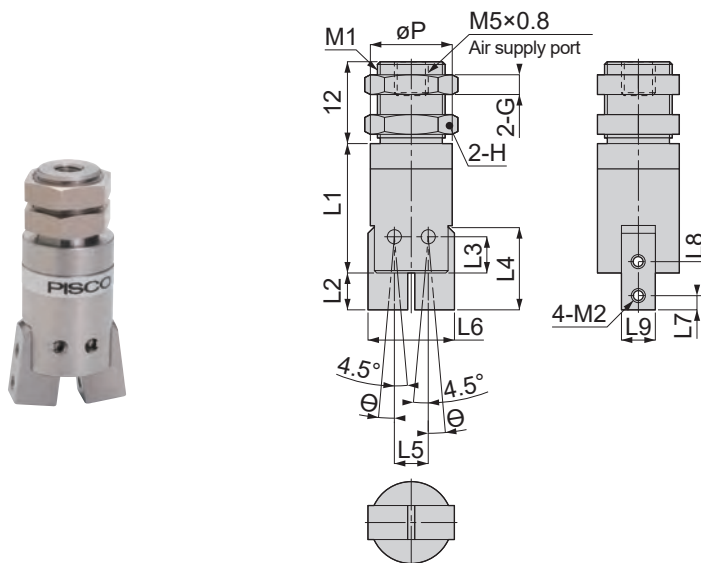
**CHM□AAS** Shank/Finger type : S



Unit : mm

Model	M	L1	L2	L3	L4	L5	L6	L7	L8	L9	øP1	øP2	θ	Mass (g)	Price (\$)
CHM08AAS	M2×0.4	19.5	5.5	5	12	5	13	2.5	5	5	10h7 <sup>0</sup> <sub>-0.015</sub>	12	10°	22	76.30
CHM11AAS	M2.5×0.45	23.5	7	5.5	14	6	17	3	6	7	12h7 <sup>0</sup> <sub>-0.018</sub>	16	8°	43	88.18

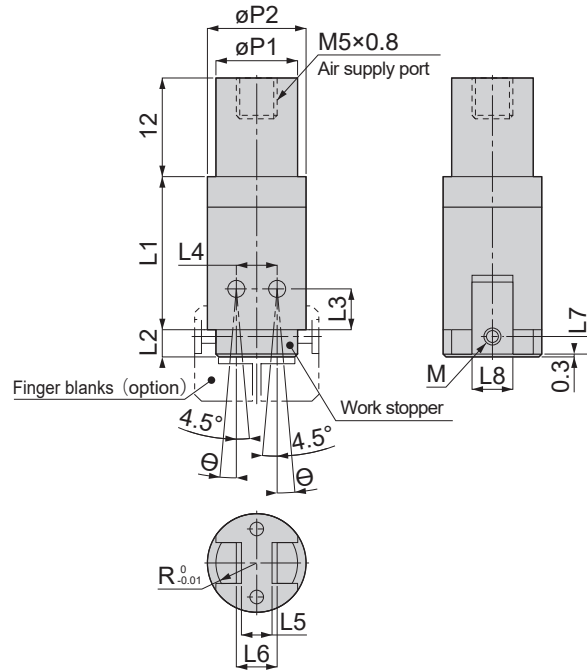
**CHM□ABS** Panel Mount / Finger type : S



Unit : mm

Model	M1	M2	L1	L2	L3	L4	L5	L6	L7	L8	L9	øP	θ	Hex. H	G	Mass (g)	Price (\$)
CHM08ABS	M10×1	M2×0.4	19.5	5.5	5	12	5	13	2.5	5	5	12	10°	12	3	24	79.89
CHM11ABS	M12×1	M2.5×0.45	23.5	7	5.5	14	6	17	3	6	7	16	8°	14	4	46	92.54

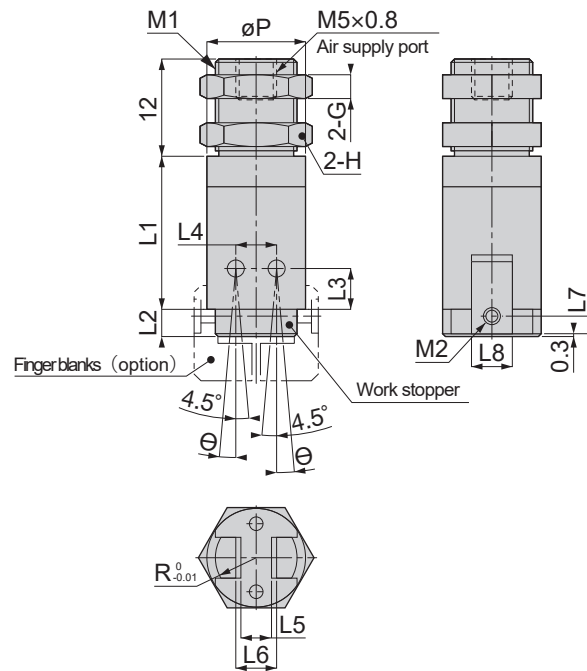
**CHM□AAK** Shank / Finger type : K



Unit : mm

Model	M	R	L1	L2	L3	L4	L5	L6	L7	L8	$\phi P1$	$\phi P2$	$\theta$	Mass (g)	Price (\$)
CHM08AAK	M2x0.4	R5	19.5	3	5	5	4	5	2	5	10h7 <sup>0</sup> <sub>-0.015</sub>	12	10°	22	75.45
CHM11AAK	M2.5x0.45	R6.5	23.5	4	5.5	6	4.5	6	2.5	7	12h7 <sup>0</sup> <sub>-0.018</sub>	16	8°	41	88.18

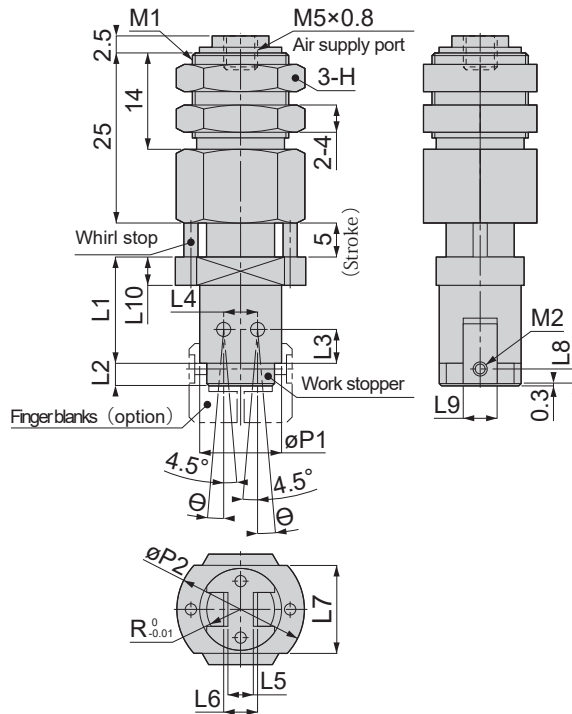
**CHM□ABK** Panel Mount / Finger type : K



Unit : mm

Model	M1	M2	R	L1	L2	L3	L4	L5	L6	L7	L8	$\phi P$	$\theta$	Hex. H	G	Mass (g)	Price (\$)
CHM08ABK	M10x1	M2x0.4	R5	19.5	3	5	5	4	5	2	5	12	10°	12	3	22	79.09
CHM11ABK	M12x1	M2.5x0.45	R6.5	23.5	4	5.5	6	4.5	6	2.5	7	16	8°	14	4	44	91.82

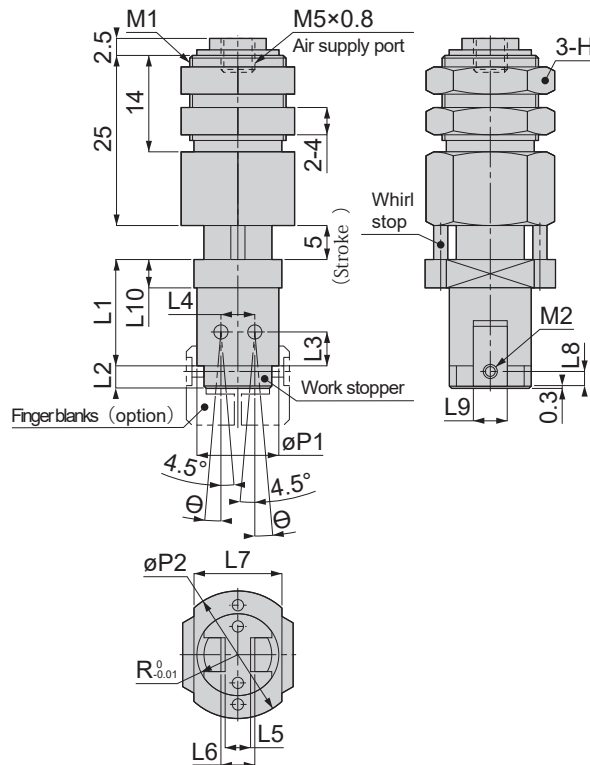
**CHM**  **ACK** Panel Mount with Stroke / Finger direction : Pararell / Finger type : K



Unit : mm

Model	M1	M2	R	L1	L2	L3	L4	L5	L6	L7	L8	L9	L10	øP1	øP2	θ	Hex. H	Mass (g)	Price (\$)
CHM08ACK	M14×1	M2×0.4	R5	15.5	3	5	5	4	5	13	2	5	4	12	19	10°	17	58	109.09
CHM11ACK	M18×1	M2.5×0.45	R6.5	18.5	4	5.5	6	4.5	6	17	2.5	7	5	16	24	8°	22	105	131.82

**CHM**  **ADK** Panel Mount with Stroke / Finger direction : Right angle / Finger type : K

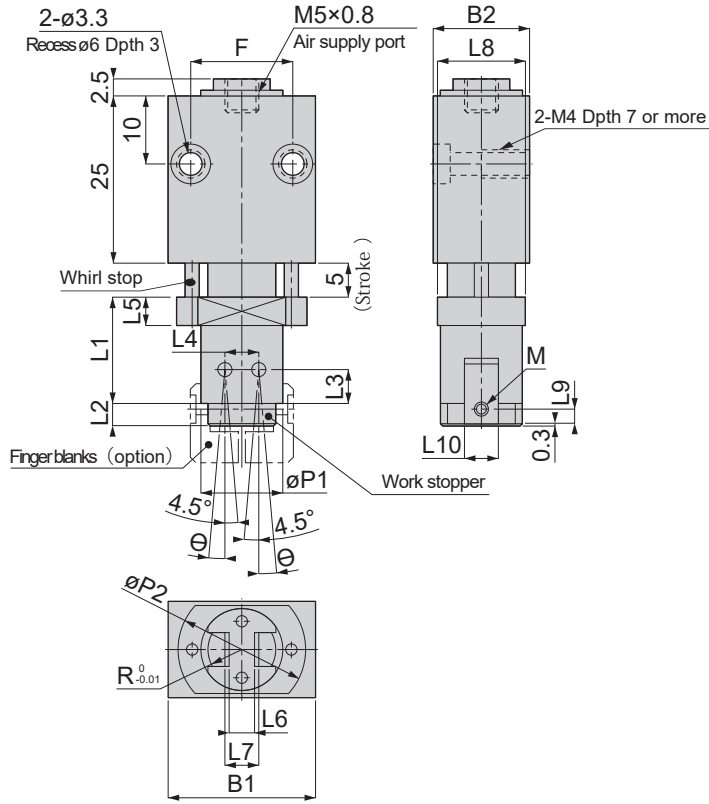


Unit : mm

Model	M1	M2	R	L1	L2	L3	L4	L5	L6	L7	L8	L9	L10	øP1	øP2	θ	Hex. H	Mass (g)	Price (\$)
CHM08ADK	M14×1	M2×0.4	R5	15.5	3	5	5	4	5	13	2	5	4	12	19	10°	17	58	109.09
CHM11ADK	M18×1	M2.5×0.45	R6.5	18.5	4	5.5	6	4.5	6	17	2.5	7	5	16	24	8°	22	105	131.82

**CHM□AEK**

Screw Mount with Stroke / Finger direction : Parallel / Finger type : K

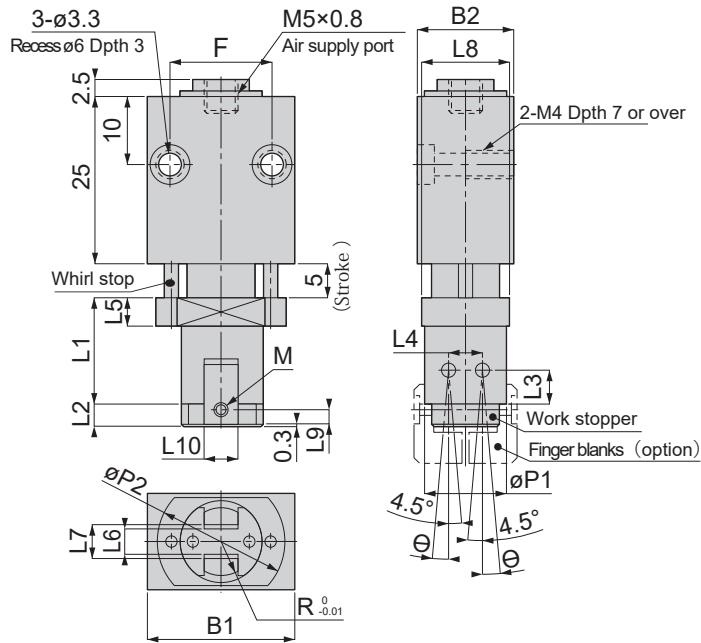


Unit : mm

Model	M	R	B1	B2	L1	L2	L3	L4	L5	L6	L7	L8	L9	L10	$\phi P1$	$\phi P2$	$\theta$	F	Mass (g)	Price (\$)
CHM08AEK	M2×0.4	R5	22	14	15.5	3	5	5	4	4	5	13	2	5	12	19	10°	15	73	120.91
CHM11AEK	M2.5×0.45	R6.5	25	18	18.5	4	5.5	6	5	4.5	6	17	2.5	7	16	24	8°	18	117	142.73

**CHM□AFK**

Screw Mount with Stroke / Finger direction : Right angle / Finger type : K



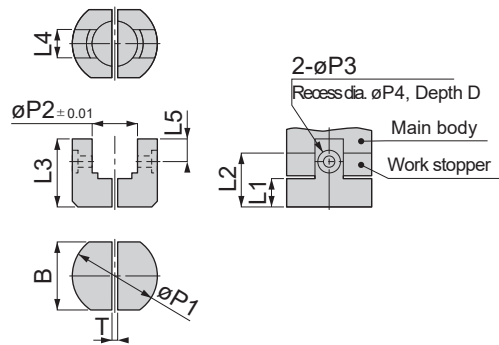
Unit : mm

Model	M	R	B1	B2	L1	L2	L3	L4	L5	L6	L7	L8	L9	L10	$\phi P1$	$\phi P2$	$\theta$	F	Mass (g)	Price (\$)
CHM08AFK	M2×0.4	R5	22	14	15.5	3	5	5	4	4	5	13	2	5	12	19	10°	15	73	120.91
CHM11AFK	M2.5×0.45	R6.5	25	18	18.5	4	5.5	6	5	4.5	6	17	2.5	7	16	24	8°	18	117	142.73

# Angular Gripper single acting External Gripping

## Finger Blanks for K models : Dimensions

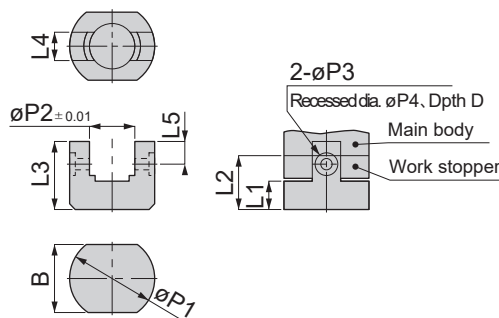
### CHM□AK□ Splitted



Unit : mm

Model	B	L1	L2	L3	L4	L5	T	$\phi P1$	$\phi P2$	$\phi P3$	$\phi P4$	D	Mounting screw (attached)	Applicable Gripper Model	Mass (g)	Price (\$)
CHM08AK11	6	5	8	11.5									Socket Cap Screw	CHM08A□K	4	22.73
CHM08AK12		10	13	16.5											7	22.73
CHM08AK13	12	5	8	11.5	5	4	1	15	10	2.1	4	0.9	M2×4ℓ	2 pcs.	6.5	22.73
CHM08AK14		10	13	16.5											12	22.73
CHM08AK15	16	5	8	11.5				20				3.4			12	25.45
CHM08AK16		10	13	16.5											22	25.45
CHM11AK11	8	6	10	14.5	7	5.5	2	20	13	2.6	5	1.75	Socket Cap Screw	CHM11A□K	8	25.45
CHM11AK12		12	16	20.5											15	25.45
CHM11AK13	16	6	10	14.5									M2.5×5ℓ	2 pcs.	13	25.45
CHM11AK14		12	16	20.5											24	25.45

### CHM□AK□ No split



Unit : mm

Model	B	L1	L2	L3	L4	L5	$\phi P1$	$\phi P2$	$\phi P3$	$\phi P4$	D	Mounting screw (attached)	Applicable Gripper Model	Mass (g)	Price (\$)
CHM08AK01	6	5	8	11.5								Socket Cap Screw	CHM08A□K	4.5	21.82
CHM08AK02		10	13	16.5										7.5	21.82
CHM08AK03	12	5	8	11.5	5	4	15	10	2.1	4	0.9	M2×4ℓ	2 pcs.	7	21.82
CHM08AK04		10	13	16.5										13	21.82
CHM08AK05	16	5	8	11.5				20			3.4			13	24.55
CHM08AK06		10	13	16.5										23	24.55
CHM11AK01	8	6	10	14.5	7	5.5	20	13	2.6	5	1.75	Socket Cap Screw	CHM11A□K	8.5	24.55
CHM11AK02		12	16	20.5										16	24.55
CHM11AK03	16	6	10	14.5								M2.5×5ℓ	2 pcs.	14	24.55
CHM11AK04		12	16	20.5										29	24.55